

3.6~7.5W Ø35.8 5槽 紧凑型 长寿命

TG-331

SU | SR | SG | AR | AMD

DC 齿轮箱马达

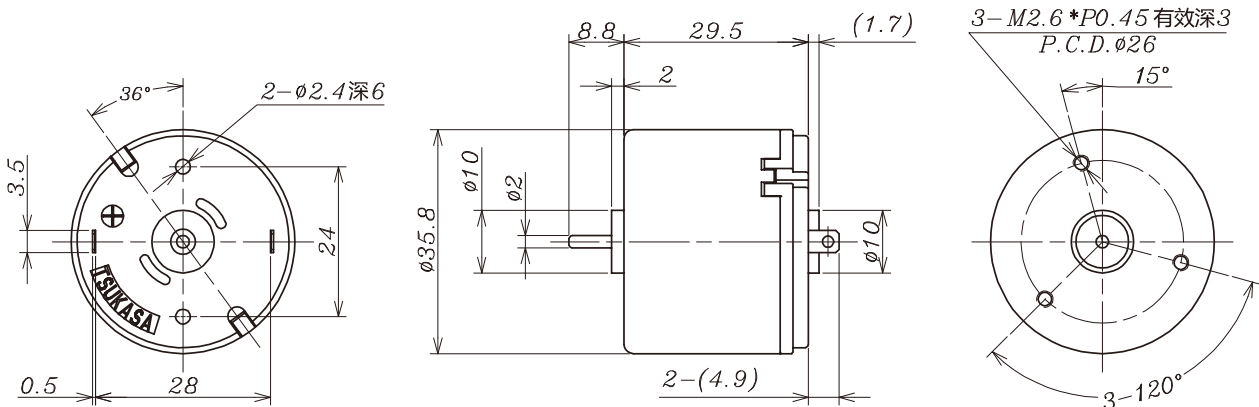


主要用途 ATM/清分机/自动售货机/点钞机/激光打印机/监控摄像机

马达电气性能

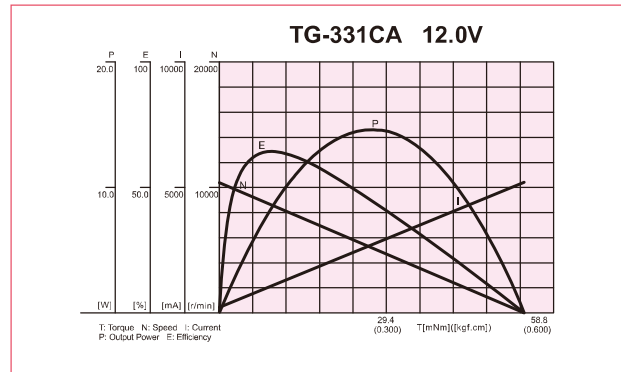
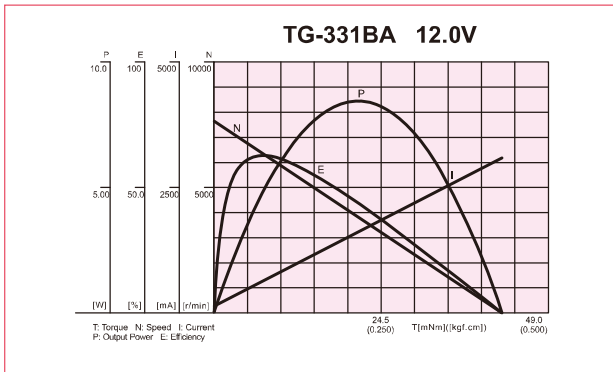
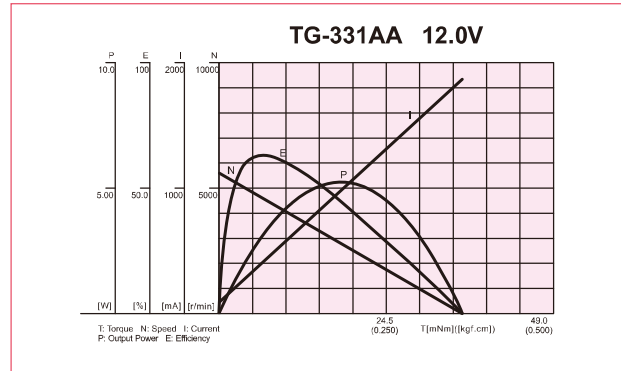
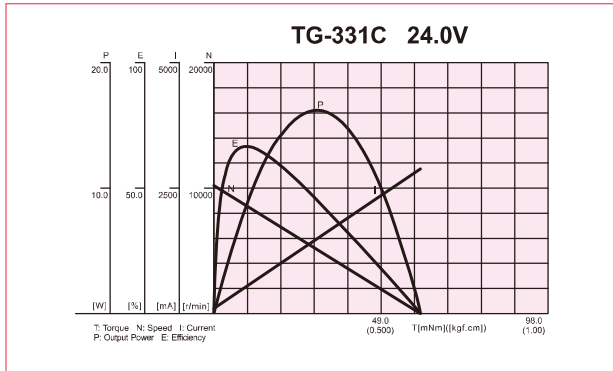
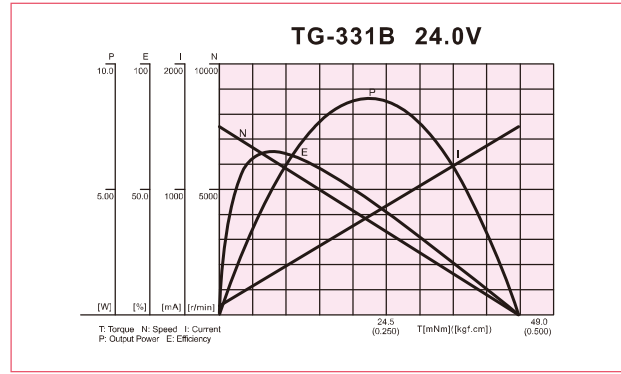
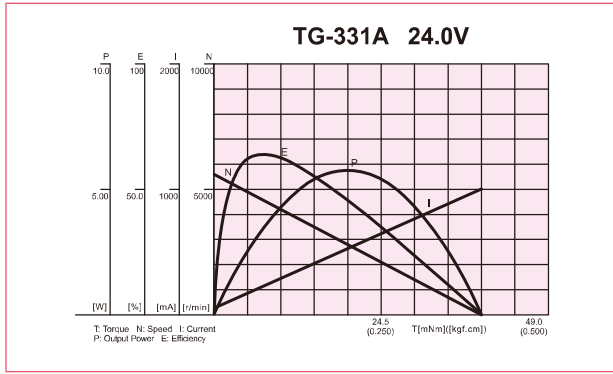
| 机种名 | 电压 | 空载 | | 负载 | | | 回转方向 | 质量 (g) | 备注 | |
|----------|-----|-----|--------|-----------|-----------|--------|------|--------|----|-----------|
| | | D.C | 电流(mA) | 转速(r/min) | 力矩(gf.cm) | 电流(mA) | | | | 转速(r/min) |
| TG-331A | 24V | | 50 | 5600 | 80 | 240 | 4480 | CCW | 80 | 压敏 |
| TG-331B | 24V | | 70 | 7500 | 80 | 325 | 6160 | CCW | 80 | 压敏 |
| TG-331C | 24V | | 100 | 10200 | 80 | 460 | 8880 | CCW | 80 | 压敏 |
| TG-331AA | 12V | | 90 | 5600 | 80 | 490 | 4480 | CCW | 80 | 压敏 |
| TG-331BA | 12V | | 130 | 7500 | 80 | 680 | 6160 | CCW | 80 | 压敏 |
| TG-331CA | 12V | | 220 | 10200 | 80 | 950 | 8880 | CCW | 80 | 压敏 |

马达单体外形图

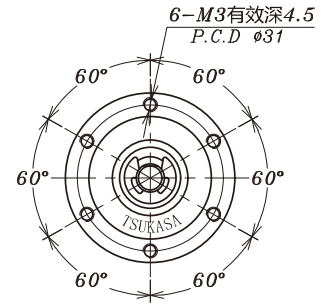
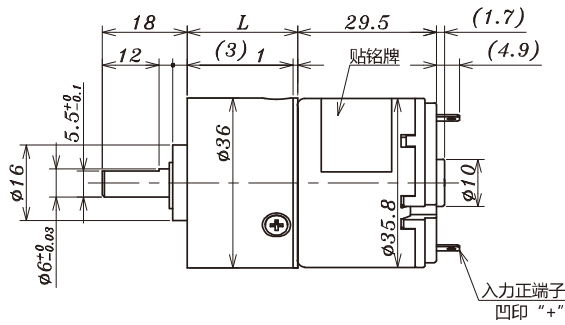


- TG-87
- TG-101
- TG-01
- TG-201
- TG-203
- TG-301
- TG-05
- TG-331
- TG-47
- TG-06
- TG-85
- TG-305
- TG-30
- TG-401
- TG-21
- TG-307
- TG-317
- TG-77
- TG-781

■ 马达单体负荷特性图



SU



■ 齿轮箱马达 (额定力矩/转速一览表)

SU

| 型式 | 减速比 | SU | | | | | | | | | | | | | |
|-------------------|-----------|-------|-------|--------|--------|--------|--------|--------|--------|-------|-------|-------|-------|-------|-------|
| | | 1/3.6 | 1/4.8 | 1/13.2 | 1/17.6 | 1/23.5 | 1/47.9 | 1/63.9 | 1/85.3 | 1/114 | 1/174 | 1/232 | 1/310 | 1/413 | 1/552 |
| TG-331A-SU (24V) | 转速(r/min) | 1314 | 965 | 345 | 257 | 191 | 95.9 | 71.2 | 52.5 | 39.5 | 25.8 | 20.2 | 15.9 | 12.3 | 9.4 |
| | 力矩(mN.m) | 19.6 | 29.4 | 78.4 | 107.8 | 147 | 245 | 343 | 490 | 637 | 882 | 980 | 980 | 980 | 980 |
| TG-331B-SU (24V) | 转速(r/min) | 1794 | 1321 | 473 | 353 | 263 | 131 | 97.7 | 72.2 | 54.3 | 35.5 | 27.6 | 21.5 | 16.7 | 12.7 |
| | 力矩(mN.m) | 19.6 | 29.4 | 78.4 | 107.8 | 147 | 245 | 343 | 490 | 637 | 882 | 980 | 980 | 980 | 980 |
| TG-331C-SU (24V) | 转速(r/min) | 2548 | 1887 | 678 | 507 | 378 | 188 | 140 | 104 | 78.1 | 51.1 | 39.2 | 30.3 | 23.2 | 17.6 |
| | 力矩(mN.m) | 19.6 | 29.4 | 78.4 | 107.8 | 147 | 245 | 343 | 490 | 637 | 882 | 980 | 980 | 980 | 980 |
| TG-331AA-SU (12V) | 转速(r/min) | 1314 | 965 | 345 | 257 | 191 | 95.9 | 71.2 | 52.5 | 39.5 | 25.8 | 20.2 | 15.9 | 12.3 | 9.4 |
| | 力矩(mN.m) | 19.6 | 29.4 | 78.4 | 107.8 | 147 | 245 | 343 | 490 | 637 | 882 | 980 | 980 | 980 | 980 |
| TG-331BA-SU (12V) | 转速(r/min) | 1794 | 1321 | 473 | 353 | 263 | 131 | 97.7 | 72.2 | 54.3 | 35.5 | 27.6 | 21.5 | 16.7 | 12.7 |
| | 力矩(mN.m) | 19.6 | 29.4 | 78.4 | 107.8 | 147 | 245 | 343 | 490 | 637 | 882 | 980 | 980 | 980 | 980 |
| TG-331CA-SU (12V) | 转速(r/min) | 2548 | 1887 | 678 | 507 | 378 | 188 | 140 | 104 | 78.1 | 51.1 | 39.2 | 30.3 | 23.2 | 17.6 |
| | 力矩(mN.m) | 19.6 | 29.4 | 78.4 | 107.8 | 147 | 245 | 343 | 490 | 637 | 882 | 980 | 980 | 980 | 980 |
| 回转方向 | 电源正极接+端子 | CCW | | | | | | | | | | | | | |

■ 齿轮箱规格

SU

| 减速比 | L (mm) | 段数 | 额定力矩 | | 质量 (g) |
|-----------------|--------|----|--------|----------|--------|
| | | | (mN.m) | (kgf.cm) | |
| 1/3.6 ~ 1/4.8 | 23.5 | 1 | 294 | 3 | 120 |
| 1/13.2 ~ 1/23.5 | 31.6 | 2 | 588 | 6 | 160 |
| 1/47.9 ~ 1/114 | 38.6 | 3 | 980 | 10 | 195 |
| 1/174 ~ 1/552 | 45.7 | 4 | 980 | 10 | 235 |

DC 齿轮箱马达

TG-87

TG-101

TG-01

TG-201

TG-203

TG-301

TG-05

TG-331

TG-47

TG-06

TG-85

TG-305

TG-30

TG-401

TG-21

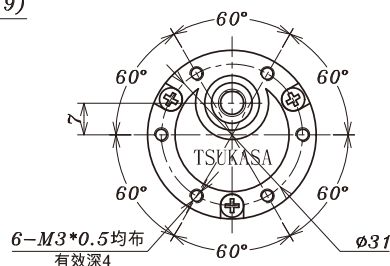
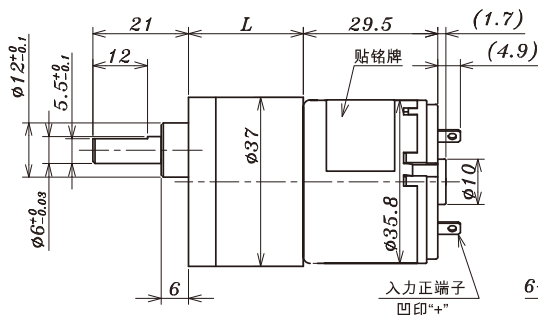
TG-307

TG-317

TG-77

TG-781

SR



■ 齿轮箱马达 (额定力矩/转速一览表) SR

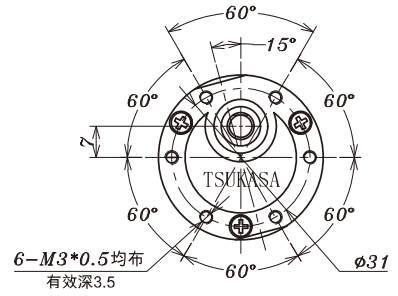
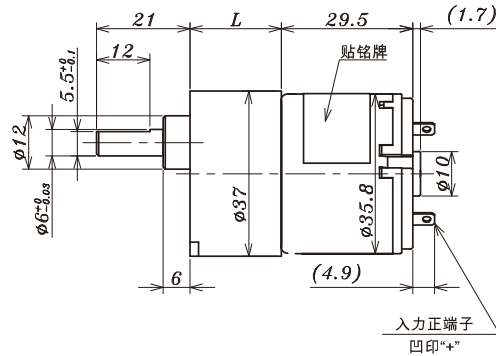
| 型式 | 减速比 | 1 | 1 | 1 | 1 | 1 | 1 | 1 | 1 | 1 | 1 | 1 | |
|-------------------|-----------|------|------|-------|-----|-----|------|------|------|------|------|------|------|
| | | 6 | 9 | 22 | 28 | 36 | 50 | 65 | 83 | 117 | 150 | 193 | 249 |
| TG-331A-SR (24V) | 转速(r/min) | 789 | 515 | 207 | 164 | 126 | 90.7 | 71.1 | 58.2 | 38.3 | 31.0 | 25.2 | 20.2 |
| | 力矩(mN.m) | 29.4 | 49 | 117.6 | 147 | 196 | 245 | 294 | 294 | 539 | 588 | 588 | 588 |
| TG-331B-SR (24V) | 转速(r/min) | 1077 | 705 | 284 | 224 | 173 | 124 | 97.3 | 79.2 | 52.6 | 42.4 | 34.3 | 27.4 |
| | 力矩(mN.m) | 29.4 | 49 | 117.6 | 147 | 196 | 245 | 294 | 294 | 539 | 588 | 588 | 588 |
| TG-331C-SR (24V) | 转速(r/min) | 1529 | 1000 | 407 | 321 | 248 | 179 | 139 | 112 | 75.9 | 60.5 | 48.3 | 38.2 |
| | 力矩(mN.m) | 29.4 | 49 | 117.6 | 147 | 196 | 245 | 294 | 294 | 539 | 588 | 588 | 588 |
| TG-331AA-SR (12V) | 转速(r/min) | 789 | 515 | 207 | 164 | 126 | 90.7 | 71.1 | 58.2 | 38.3 | 31.0 | 25.2 | 20.2 |
| | 力矩(mN.m) | 29.4 | 49 | 117.6 | 147 | 196 | 245 | 294 | 294 | 539 | 588 | 588 | 588 |
| TG-331BA-SR (12V) | 转速(r/min) | 1077 | 705 | 284 | 224 | 173 | 124 | 97.3 | 79.2 | 52.6 | 42.4 | 34.3 | 27.4 |
| | 力矩(mN.m) | 29.4 | 49 | 117.6 | 147 | 196 | 245 | 294 | 294 | 539 | 588 | 588 | 588 |
| TG-331CA-SR (12V) | 转速(r/min) | 1529 | 1000 | 407 | 321 | 248 | 179 | 139 | 112 | 75.9 | 60.5 | 48.3 | 38.2 |
| | 力矩(mN.m) | 29.4 | 49 | 117.6 | 147 | 196 | 245 | 294 | 294 | 539 | 588 | 588 | 588 |
| 回转方向 | 电源正极接+端子 | CCW | CW | | CCW | | CW | | | | | | |

■ 齿轮箱规格 SR

| 减速比 | L (mm) | 段数 | 额定力矩 | | 质量 (g) |
|---------------|--------|----|--------|----------|--------|
| | | | (mN.m) | (kgf.cm) | |
| 1/6 ~ 1/9 | 25.2 | 2 | 98 | 1 | 95 |
| 1/22 ~ 1/28 | 25.2 | 3 | 196 | 2 | 100 |
| 1/36 | 28.7 | 3 | 245 | 2.5 | 100 |
| 1/50 ~ 1/83 | 28.7 | 4 | 294 | 3 | 105 |
| 1/117 ~ 1/249 | 32.1 | 5 | 588 | 6 | 110 |

SG

DC 齿轮箱马达



■ 齿轮箱马达 (额定力矩/转速一览表)

SG

| 型式 | 减速比 | 1 | | | | | | | | | | | | | | | | | | | |
|-------------------|------------|------|------|------|-----|-------|-------|-------|------|------|------|------|------|------|------|------|------|------|------|------|------|
| | | 5 | 10 | 15 | 18 | 25 | 30 | 36 | 50 | 60 | 75 | 100 | 120 | 150 | 200 | 250 | 300 | 500 | 750 | 1000 | 1500 |
| TG-331A-SG (24V) | 转速(r/min) | 913 | 456 | 305 | 252 | 181 | 150 | 126 | 90.7 | 75.6 | 63.3 | 49.6 | 37.6 | 31.0 | 24.4 | 20.1 | 17.3 | 10.6 | 7.2 | 5.5 | 3.7 |
| | 力矩(mN.m) | 29.4 | 58.8 | 78.4 | 98 | 137.2 | 166.6 | 176.4 | 245 | 294 | 294 | 294 | 539 | 588 | 588 | 588 | 588 | 588 | 588 | 588 | 588 |
| | 力矩(kgf.cm) | 0.3 | 0.6 | 0.8 | 1 | 1.4 | 1.7 | 1.8 | 2.5 | 3 | 3 | 3 | 5.5 | 6 | 6 | 6 | 6 | 6 | 6 | 6 | 6 |
| TG-331B-SG (24V) | 转速(r/min) | 1252 | 626 | 418 | 346 | 248 | 206 | 173 | 124 | 104 | 86.4 | 67.3 | 51.6 | 42.4 | 33.2 | 27.2 | 23.3 | 14.2 | 9.7 | 7.3 | 4.9 |
| | 力矩(mN.m) | 29.4 | 58.8 | 78.4 | 98 | 137.2 | 166.6 | 176.4 | 245 | 294 | 294 | 294 | 539 | 588 | 588 | 588 | 588 | 588 | 588 | 588 | 588 |
| | 力矩(kgf.cm) | 0.3 | 0.6 | 0.8 | 1 | 1.4 | 1.7 | 1.8 | 2.5 | 3 | 3 | 3 | 5.5 | 6 | 6 | 6 | 6 | 6 | 6 | 6 | 6 |
| TG-331C-SG (24V) | 转速(r/min) | 1795 | 897 | 599 | 497 | 357 | 297 | 248 | 179 | 149 | 123 | 94.4 | 74.2 | 60.5 | 46.8 | 38.1 | 32.3 | 19.6 | 13.3 | 10.0 | 6.7 |
| | 力矩(mN.m) | 29.4 | 58.8 | 78.4 | 98 | 137.2 | 166.6 | 176.4 | 245 | 294 | 294 | 294 | 539 | 588 | 588 | 588 | 588 | 588 | 588 | 588 | 588 |
| | 力矩(kgf.cm) | 0.3 | 0.6 | 0.8 | 1 | 1.4 | 1.7 | 1.8 | 2.5 | 3 | 3 | 3 | 5.5 | 6 | 6 | 6 | 6 | 6 | 6 | 6 | 6 |
| TG-331AA-SG (12V) | 转速(r/min) | 913 | 456 | 305 | 252 | 181 | 150 | 126 | 90.7 | 75.6 | 63.3 | 49.6 | 37.6 | 31.0 | 24.4 | 20.1 | 17.3 | 10.6 | 7.2 | 5.5 | 3.7 |
| | 力矩(mN.m) | 29.4 | 58.8 | 78.4 | 98 | 137.2 | 166.6 | 176.4 | 245 | 294 | 294 | 294 | 539 | 588 | 588 | 588 | 588 | 588 | 588 | 588 | 588 |
| | 力矩(kgf.cm) | 0.3 | 0.6 | 0.8 | 1 | 1.4 | 1.7 | 1.8 | 2.5 | 3 | 3 | 3 | 5.5 | 6 | 6 | 6 | 6 | 6 | 6 | 6 | 6 |
| TG-331BA-SG (12V) | 转速(r/min) | 1252 | 626 | 418 | 346 | 248 | 206 | 173 | 124 | 104 | 86.4 | 67.3 | 51.6 | 42.4 | 33.2 | 27.2 | 23.3 | 14.2 | 9.7 | 7.3 | 4.9 |
| | 力矩(mN.m) | 29.4 | 58.8 | 78.4 | 98 | 137.2 | 166.6 | 176.4 | 245 | 294 | 294 | 294 | 539 | 588 | 588 | 588 | 588 | 588 | 588 | 588 | 588 |
| | 力矩(kgf.cm) | 0.3 | 0.6 | 0.8 | 1 | 1.4 | 1.7 | 1.8 | 2.5 | 3 | 3 | 3 | 5.5 | 6 | 6 | 6 | 6 | 6 | 6 | 6 | 6 |
| TG-331CA-SG (12V) | 转速(r/min) | 1795 | 897 | 599 | 497 | 357 | 297 | 248 | 179 | 149 | 123 | 94.4 | 74.2 | 60.5 | 46.8 | 38.1 | 32.3 | 19.6 | 13.3 | 10.0 | 6.7 |
| | 力矩(mN.m) | 29.4 | 58.8 | 78.4 | 98 | 137.2 | 166.6 | 176.4 | 245 | 294 | 294 | 294 | 539 | 588 | 588 | 588 | 588 | 588 | 588 | 588 | 588 |
| | 力矩(kgf.cm) | 0.3 | 0.6 | 0.8 | 1 | 1.4 | 1.7 | 1.8 | 2.5 | 3 | 3 | 3 | 5.5 | 6 | 6 | 6 | 6 | 6 | 6 | 6 | 6 |
| 回转方向 | 电源正极接+端子 | CCW | CW | | | CCW | | | CW | | | CCW | | | CW | | | | | | |

*关于其它减速比, 请咨询营业部

■ 齿轮箱规格

SG

| 减速比 | L (mm) | 段数 | 额定力矩 | | 质量 (g) |
|-----------------|--------|----|--------|----------|--------|
| | | | (mN.m) | (kgf.cm) | |
| 1/5 ~ 1/10 | 20.5 | 2 | 98 | 1 | 100 |
| 1/12.5 ~ 1/30 | 23 | 3 | 196 | 2 | 105 |
| 1/36 ~ 1/100 | 25.5 | 4 | 294 | 3 | 110 |
| 1/120 ~ 1/300 | 28 | 5 | 588 | 6 | 115 |
| 1/360 ~ 1/1000 | 30.5 | 6 | 588 | 6 | 120 |
| 1/1500 ~ 1/3000 | 33 | 7 | 588 | 6 | 125 |

TG-87

TG-101

TG-01

TG-201

TG-203

TG-301

TG-05

TG-331

TG-47

TG-06

TG-85

TG-305

TG-30

TG-401

TG-21

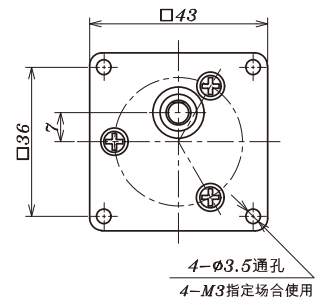
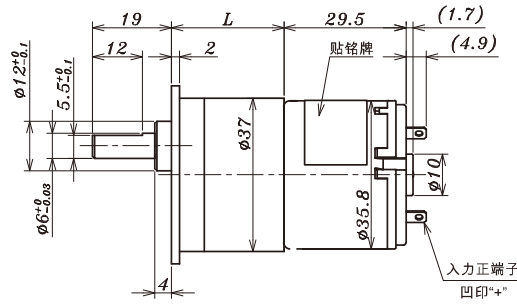
TG-307

TG-317

TG-77

TG-781

AR



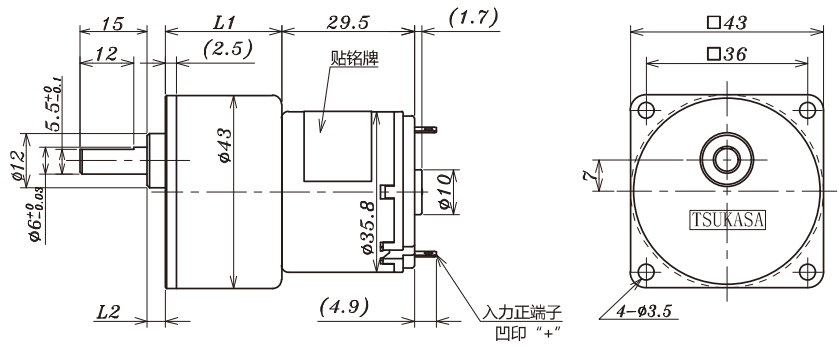
■ 齿轮箱马达 (额定力矩/转速一览表) **AR**

| 型式 | 减速比 | 1 | 1 | 1 | 1 | 1 | 1 | 1 | 1 | 1 | 1 | 1 | |
|----------------------|------------|------|------|-------|-----|-----|------|------|------|------|------|------|------|
| | | 6 | 9 | 22 | 28 | 36 | 50 | 65 | 83 | 117 | 150 | 193 | 249 |
| TG-331A-AR (24V) | 转速(r/min) | 789 | 515 | 207 | 164 | 126 | 90.7 | 71.1 | 58.2 | 38.3 | 31.0 | 25.2 | 20.2 |
| | 力矩(mN.m) | 29.4 | 49 | 117.6 | 147 | 196 | 245 | 294 | 294 | 539 | 588 | 588 | 588 |
| | 力矩(kgf.cm) | 0.3 | 0.5 | 1.2 | 1.5 | 2 | 2.5 | 3 | 3 | 5.5 | 6 | 6 | 6 |
| TG-331B-AR (24V) | 转速(r/min) | 1077 | 705 | 284 | 224 | 173 | 124 | 97.3 | 79.2 | 52.6 | 42.4 | 34.3 | 27.4 |
| | 力矩(mN.m) | 29.4 | 49 | 117.6 | 147 | 196 | 245 | 294 | 294 | 539 | 588 | 588 | 588 |
| | 力矩(kgf.cm) | 0.3 | 0.5 | 1.2 | 1.5 | 2 | 2.5 | 3 | 3 | 5.5 | 6 | 6 | 6 |
| TG-331C-AR (24V) | 转速(r/min) | 1529 | 1000 | 407 | 321 | 248 | 179 | 139 | 112 | 75.9 | 60.5 | 48.3 | 38.2 |
| | 力矩(mN.m) | 29.4 | 49 | 117.6 | 147 | 196 | 245 | 294 | 294 | 539 | 588 | 588 | 588 |
| | 力矩(kgf.cm) | 0.3 | 0.5 | 1.2 | 1.5 | 2 | 2.5 | 3 | 3 | 5.5 | 6 | 6 | 6 |
| TG-331AA-AR (12V) | 转速(r/min) | 789 | 515 | 207 | 164 | 126 | 90.7 | 71.1 | 58.2 | 38.3 | 31.0 | 25.2 | 20.2 |
| | 力矩(mN.m) | 29.4 | 49 | 117.6 | 147 | 196 | 245 | 294 | 294 | 539 | 588 | 588 | 588 |
| | 力矩(kgf.cm) | 0.3 | 0.5 | 1.2 | 1.5 | 2 | 2.5 | 3 | 3 | 5.5 | 6 | 6 | 6 |
| TG-331BA-AR (12V) | 转速(r/min) | 1077 | 705 | 284 | 224 | 173 | 124 | 97.3 | 79.2 | 52.6 | 42.4 | 34.3 | 27.4 |
| | 力矩(mN.m) | 29.4 | 49 | 117.6 | 147 | 196 | 245 | 294 | 294 | 539 | 588 | 588 | 588 |
| | 力矩(kgf.cm) | 0.3 | 0.5 | 1.2 | 1.5 | 2 | 2.5 | 3 | 3 | 5.5 | 6 | 6 | 6 |
| TG-331CA-AR (12V) | 转速(r/min) | 1529 | 1000 | 407 | 321 | 248 | 179 | 139 | 112 | 75.9 | 60.5 | 48.3 | 38.2 |
| | 力矩(mN.m) | 29.4 | 49 | 117.6 | 147 | 196 | 245 | 294 | 294 | 539 | 588 | 588 | 588 |
| | 力矩(kgf.cm) | 0.3 | 0.5 | 1.2 | 1.5 | 2 | 2.5 | 3 | 3 | 5.5 | 6 | 6 | 6 |
| 回转方向 | 电源正极接+端子 | CCW | | CW | | CCW | | CW | | | | | |

■ 齿轮箱规格 **AR**

| 减速比 | L (mm) | 段数 | 额定力矩 | | 质量 (g) |
|---------------|-----------|----|--------|----------|-----------|
| | | | (mN.m) | (kgf.cm) | |
| 1/6 ~ 1/9 | 27.2 | 2 | 98 | 1 | 120 |
| 1/22 ~ 1/28 | 27.2 | 3 | 196 | 2 | 125 |
| 1/36 | 30.7 | 3 | 245 | 2.5 | 125 |
| 1/50 ~ 1/83 | 30.7 | 4 | 294 | 3 | 130 |
| 1/117 ~ 1/249 | 34.1 | 5 | 588 | 6 | 135 |

AMD



DC 齿轮箱马达

TG-87

TG-101

TG-01

TG-201

TG-203

TG-301

TG-05

TG-331

TG-47

TG-06

TG-85

TG-305

TG-30

TG-401

TG-21

TG-307

TG-317

TG-77

TG-781

齿轮箱马达 (额定力矩/转速一览表) AMD

| 型式 | 减速比 | 1 | | | | | | | | | | | | | | | | |
|--------------------|------------|------|------|------|-----|-------|-------|-----|------|------|------|------|------|------|------|------|------|------|
| | | 5 | 10 | 15 | 18 | 25 | 30 | 36 | 50 | 60 | 75 | 100 | 120 | 150 | 200 | 250 | 300 | 500 |
| TG-331A-AMD (24V) | 转速(r/min) | 913 | 456 | 305 | 252 | 181 | 150 | 126 | 90.7 | 75.6 | 61.4 | 45.4 | 37.8 | 30.7 | 23.9 | 19.8 | 16.8 | 10.5 |
| | 力矩(mN.m) | 29.4 | 58.8 | 78.4 | 98 | 137.2 | 166.6 | 196 | 245 | 294 | 343 | 490 | 588 | 686 | 686 | 686 | 686 | 686 |
| | 力矩(kgf.cm) | 0.3 | 0.6 | 0.8 | 1 | 1.4 | 1.7 | 2 | 2.5 | 3 | 3.5 | 5 | 6 | 7 | 7 | 7 | 7 | 7 |
| TG-331B-AMD (24V) | 转速(r/min) | 1252 | 626 | 418 | 346 | 248 | 206 | 173 | 62.2 | 104 | 84.1 | 62.2 | 51.9 | 42.1 | 32.6 | 26.8 | 22.8 | 14.2 |
| | 力矩(mN.m) | 29.4 | 58.8 | 78.4 | 98 | 137.2 | 166.6 | 196 | 245 | 294 | 343 | 490 | 588 | 686 | 686 | 686 | 686 | 686 |
| | 力矩(kgf.cm) | 0.3 | 0.6 | 0.8 | 1 | 1.4 | 1.7 | 2 | 2.5 | 3 | 3.5 | 5 | 6 | 7 | 7 | 7 | 7 | 7 |
| TG-331C-AMD (24V) | 转速(r/min) | 1795 | 897 | 599 | 497 | 357 | 297 | 248 | 179 | 149 | 120 | 89.4 | 74.5 | 60.1 | 46.1 | 37.7 | 31.8 | 19.6 |
| | 力矩(mN.m) | 29.4 | 58.8 | 78.4 | 98 | 137.2 | 166.6 | 196 | 245 | 294 | 343 | 490 | 588 | 686 | 686 | 686 | 686 | 686 |
| | 力矩(kgf.cm) | 0.3 | 0.6 | 0.8 | 1 | 1.4 | 1.7 | 2 | 2.5 | 3 | 3.5 | 5 | 6 | 7 | 7 | 7 | 7 | 7 |
| TG-331AA-AMD (12V) | 转速(r/min) | 913 | 456 | 305 | 252 | 181 | 150 | 126 | 90.7 | 75.6 | 61.4 | 45.4 | 37.8 | 30.7 | 23.9 | 19.8 | 16.8 | 10.5 |
| | 力矩(mN.m) | 29.4 | 58.8 | 78.4 | 98 | 137.2 | 166.6 | 196 | 245 | 294 | 343 | 490 | 588 | 686 | 686 | 686 | 686 | 686 |
| | 力矩(kgf.cm) | 0.3 | 0.6 | 0.8 | 1 | 1.4 | 1.7 | 2 | 2.5 | 3 | 3.5 | 5 | 6 | 7 | 7 | 7 | 7 | 7 |
| TG-331BA-AMD (12V) | 转速(r/min) | 1252 | 626 | 418 | 346 | 248 | 206 | 173 | 62.2 | 104 | 84.1 | 62.2 | 51.9 | 42.1 | 32.6 | 26.8 | 22.8 | 14.2 |
| | 力矩(mN.m) | 29.4 | 58.8 | 78.4 | 98 | 137.2 | 166.6 | 196 | 245 | 294 | 343 | 490 | 588 | 686 | 686 | 686 | 686 | 686 |
| | 力矩(kgf.cm) | 0.3 | 0.6 | 0.8 | 1 | 1.4 | 1.7 | 2 | 2.5 | 3 | 3.5 | 5 | 6 | 7 | 7 | 7 | 7 | 7 |
| TG-331CA-AMD (12V) | 转速(r/min) | 1795 | 897 | 599 | 497 | 357 | 297 | 248 | 179 | 149 | 120 | 89.4 | 74.5 | 60.1 | 46.1 | 37.7 | 31.8 | 19.6 |
| | 力矩(mN.m) | 29.4 | 58.8 | 78.4 | 98 | 137.2 | 166.6 | 196 | 245 | 294 | 343 | 490 | 588 | 686 | 686 | 686 | 686 | 686 |
| | 力矩(kgf.cm) | 0.3 | 0.6 | 0.8 | 1 | 1.4 | 1.7 | 2 | 2.5 | 3 | 3.5 | 5 | 6 | 7 | 7 | 7 | 7 | 7 |
| 回转方向 | 电源正极接+端子 | CCW | CW | | | | | | CCW | | | | | | CW | | | |

*关于其它减速比, 请咨询营业部

齿轮箱规格 AMD

| 减速比 | L1 (mm) | L2 (mm) | 段数 | 额定力矩 | | 质量 (g) |
|---------------|---------|---------|----|--------|----------|--------|
| | | | | (mN.m) | (kgf.cm) | |
| 1/5 ~ 1/10 | 26 | 4 | 2 | 98 | 1 | 110 |
| 1/12.5 ~ 1/18 | 26 | 6.5 | 3 | 343 | 3.5 | 115 |
| 1/25 ~ 1/36 | 26 | 6.5 | 3 | 392 | 4 | 115 |
| 1/50 ~ 1/75 | 31 | 4 | 4 | 490 | 5 | 115 |
| 1/90 ~ 1/150 | 31 | 4 | 4 | 686 | 7 | 115 |
| 1/180 ~ 1/500 | 31 | 6.5 | 5 | 686 | 7 | 120 |